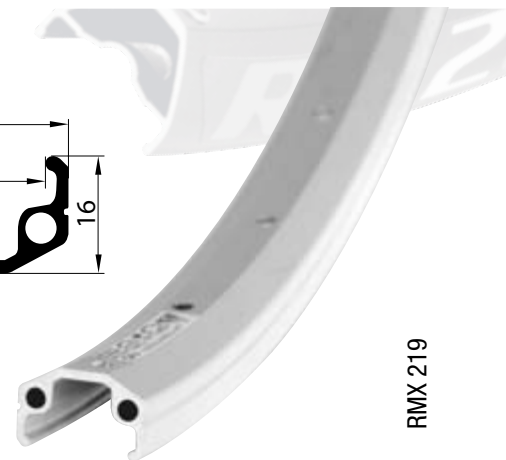
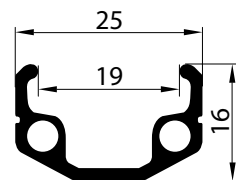


RMX 219

Single-wall rim with reinforced profile.

Dimension	406 x 19	507 x 19	559 x 19	622 x 19
Weight	360 g	440 g	490 g	540 g
No. of holes	36	36	36	36
Eyeleting	-	-	-	-
Treatment	BA, N	BA, N	BA, N	BA, N
CNC	-	-	-	-
Safety system	SCR	SCR	SCR	SCR
Using	univerzal	univerzal	univerzal	univerzal

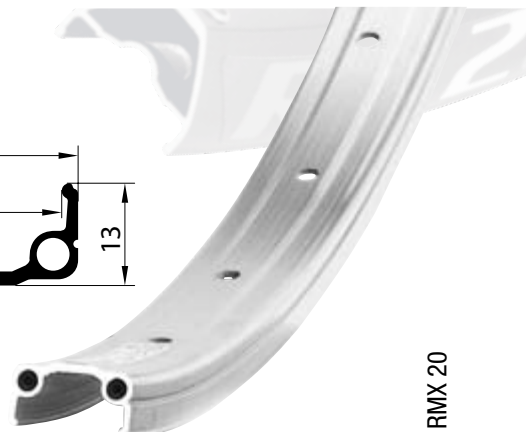
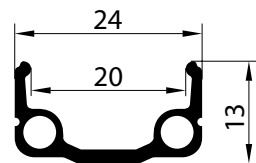


RMX 219

RMX 20

Single-wall rim with standard construction and standard design.

Dimension	305 x 20	406 x 20	507 x 20	559 x 20
Weight	228 g	360 g	390 g	440 g
No. of holes	16, 20	36	36	36
Eyeleting	-	-	-	-
Treatment	BA, N	BA, N	BA, N	BA, N
CNC	-	-	-	-
Safety system	SCR	SCR	SCR	SCR
Using	univerzal	univerzal	univerzal	univerzal

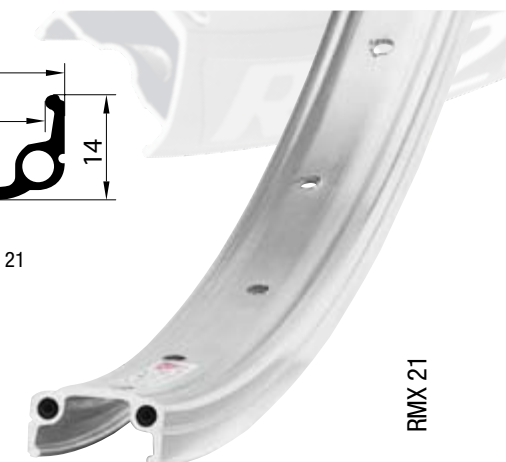
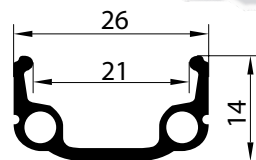


RMX 20

RMX 21

Model of proven rim construction for common use.

Dimension	305 x 21	355 x 21	406 x 21	507 x 21	540 x 21	559 x 21	590 x 21	622 x 21
Weight	228 g	264 g	308 g	378 g	422 g	438 g	445 g	500 g
No. of holes	16, 20, 32	20, 28	36	36	36	36	36	36
Eyeleting	-	-	-	-	-	-	-	-
Treatment	BA, N	BA, N	BA, N	BA, N	BA, N	BA, N	BA, N	BA, N
CNC	-	-	-	-	-	-	-	-
Safety system	SCR	SCR	SCR	SCR	SCR	SCR	SCR	SCR
Using	univerzal	univerzal	univerzal	univerzal	univerzal	univerzal	univerzal	univerzal



RMX 21

RIMS REMERX

Spokes are very important part of each bike. They transform your energy into the forward motion of the wheel and they influence (not in small degree) your time in aim of race and also degree of fatigue in Sunday drive. Differences between light solid wheel and soft heavy can be immense because own solidity of wheel You can influence by spokes, material of spokes and also construction of hubs. Spokes Remerx

are produced in 5 treatments. Straight spokes or standard spokes – in both cases in basic 2mm version or in butted version 2/1,7/2mm. Newly also standard spokes 2,3mm.

BUTTED STRAIGHT SPOKES

Usage:	MTB, Trekking, Race, Triathlon
Material:	High strenght stainless steel - SANDVIK T 302
Color treatment:	silver, black
Packaging:	150, 300, 500 ks
Weight	(Lenght L= 260 mm) 4,9 g
Length:	240 - 310 mm
Regulation:	ČSN EN ISO 4210-7
Mechanical strength:	3010 N



BUTTED SPOKES WITH HEAD BENDING

Usage:	MTB, Trekking, Race, Triathlon
Material:	High strenght stainless steel - SANDVIK T 302
Color treatment:	silver, black
Packaging:	150, 300, 500 ks
Weight	(Lenght L= 260 mm) 4,9 g
Length:	240 - 310 mm
Regulation:	ČSN EN ISO 4210-7
Mechanical strength:	2950 N

SPOKES STANDARD 2 MM WITH HEAD BENDING

Usage:	MTB, Trekking, CITY, DOWNHILL, E-bike
Material:	SANDVIK DUPLEX – quarantee strength and stability
Color treatment:	silver, black
Packaging:	150, 300, 500 ks
Weight	(Lenght L = 260 mm) 6,5 g
Length:	130 - 310 mm
Regulation:	ČSN EN ISO 4210-7
Mechanical strength:	3055 N

STRAIGHT STANDARD SPOKES 2,0 MM

Usage:	MTB, Trekking, CITY, DOWNHILL, E-bike
Material:	SANDVIK DUPLEX – quarantee strength and stability
Color treatment:	silver, black
Packaging:	150, 300, 500 ks
Weight	(Lenght L = 260 mm) 6,5 g
Length:	130 - 310 mm
Regulation:	ČSN EN ISO 4210-7
Mechanical strength:	3280 N

STANDARD SPOKES 2,3MM WITH HEAD BENDING

Usage:	MTB, suitable for e-bikes
Material:	High strength stainless steel with high corrosion durability
Color treatment:	silver, black
Packaging:	150, 300, 500 ks
Weight	(Lenght L = 260 mm) 8,5 g
Length:	130 - 310 mm
Regulation:	ČSN EN ISO 4210-7
Mechanical strength:	3900 N